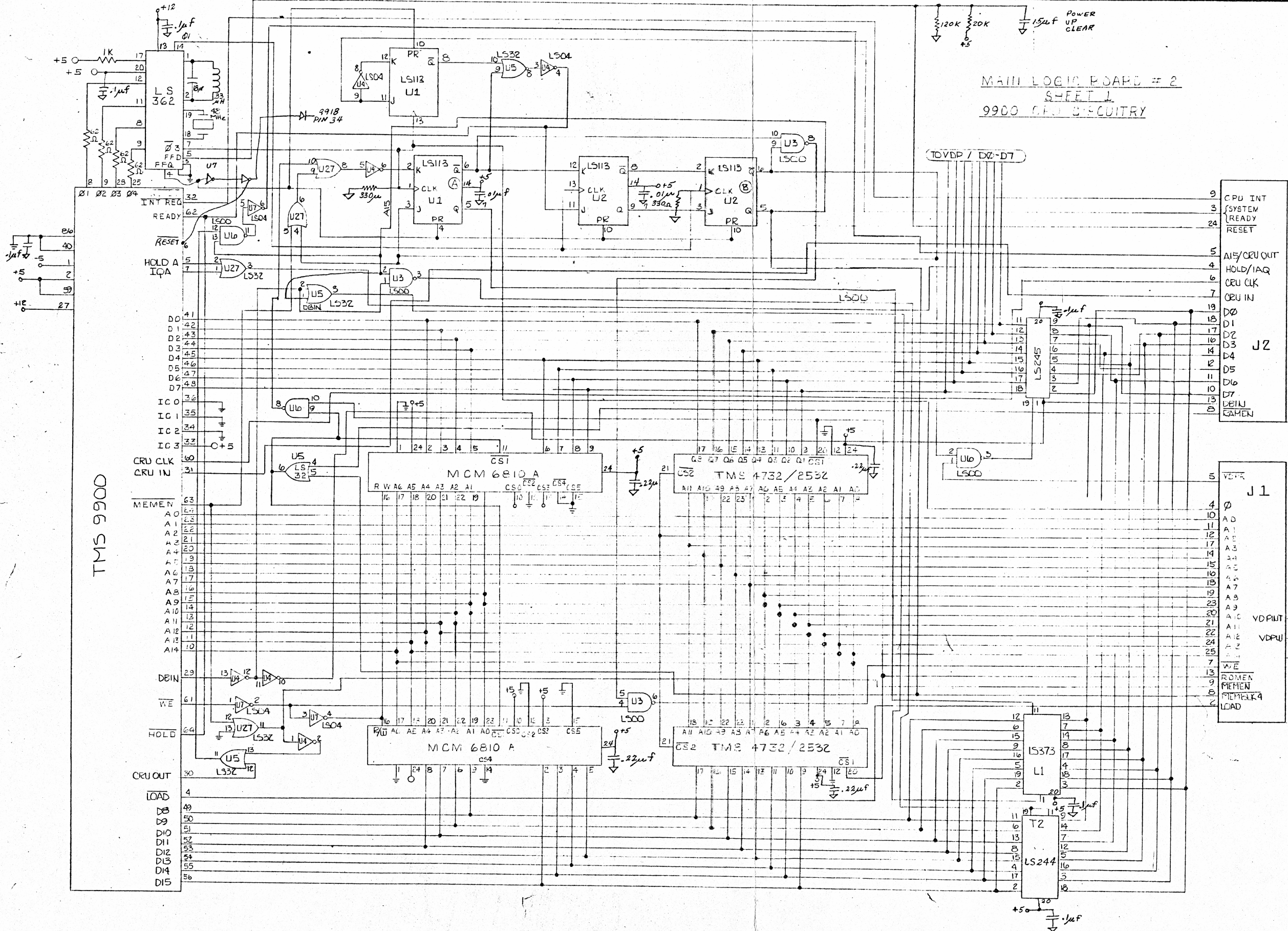


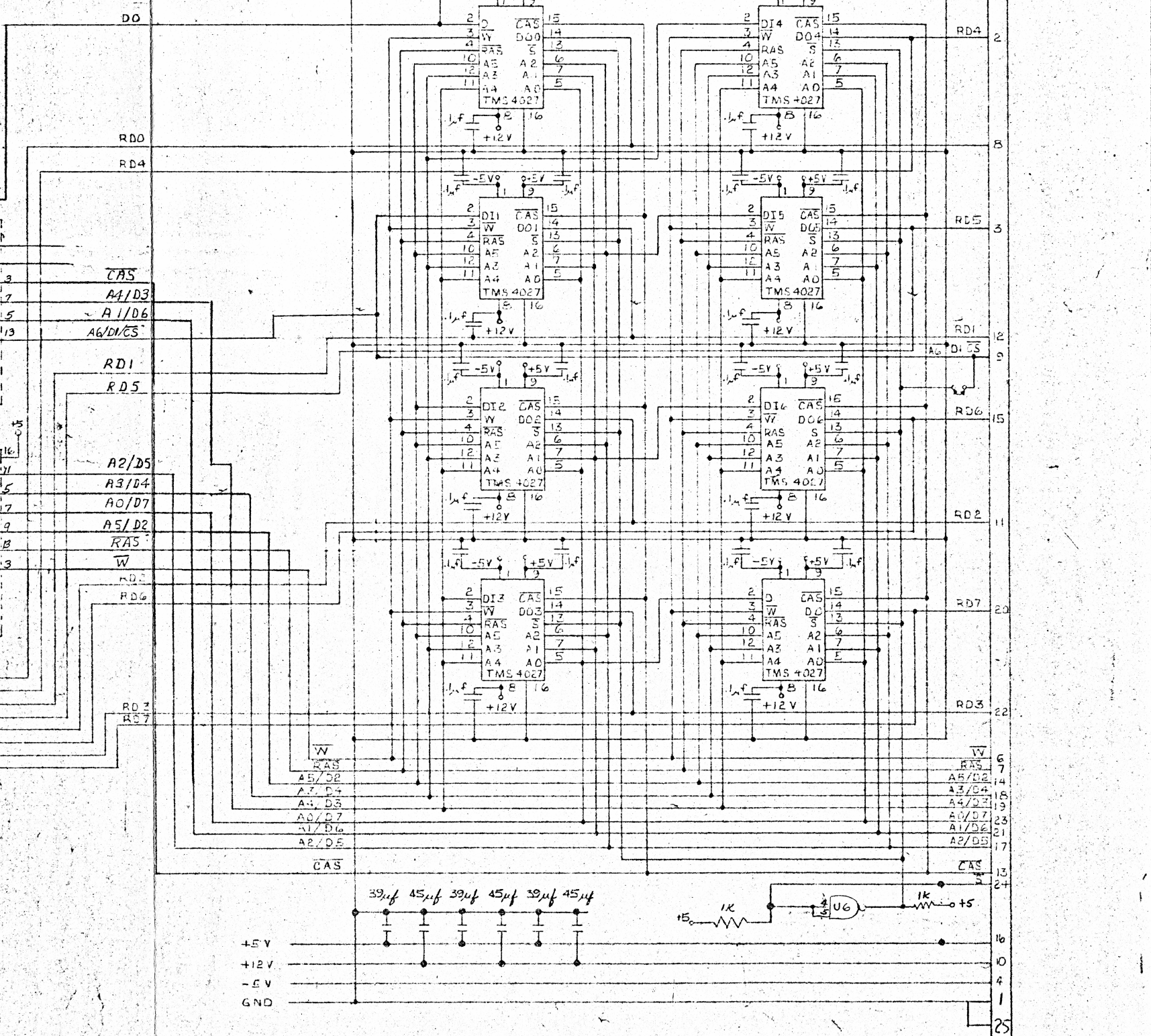
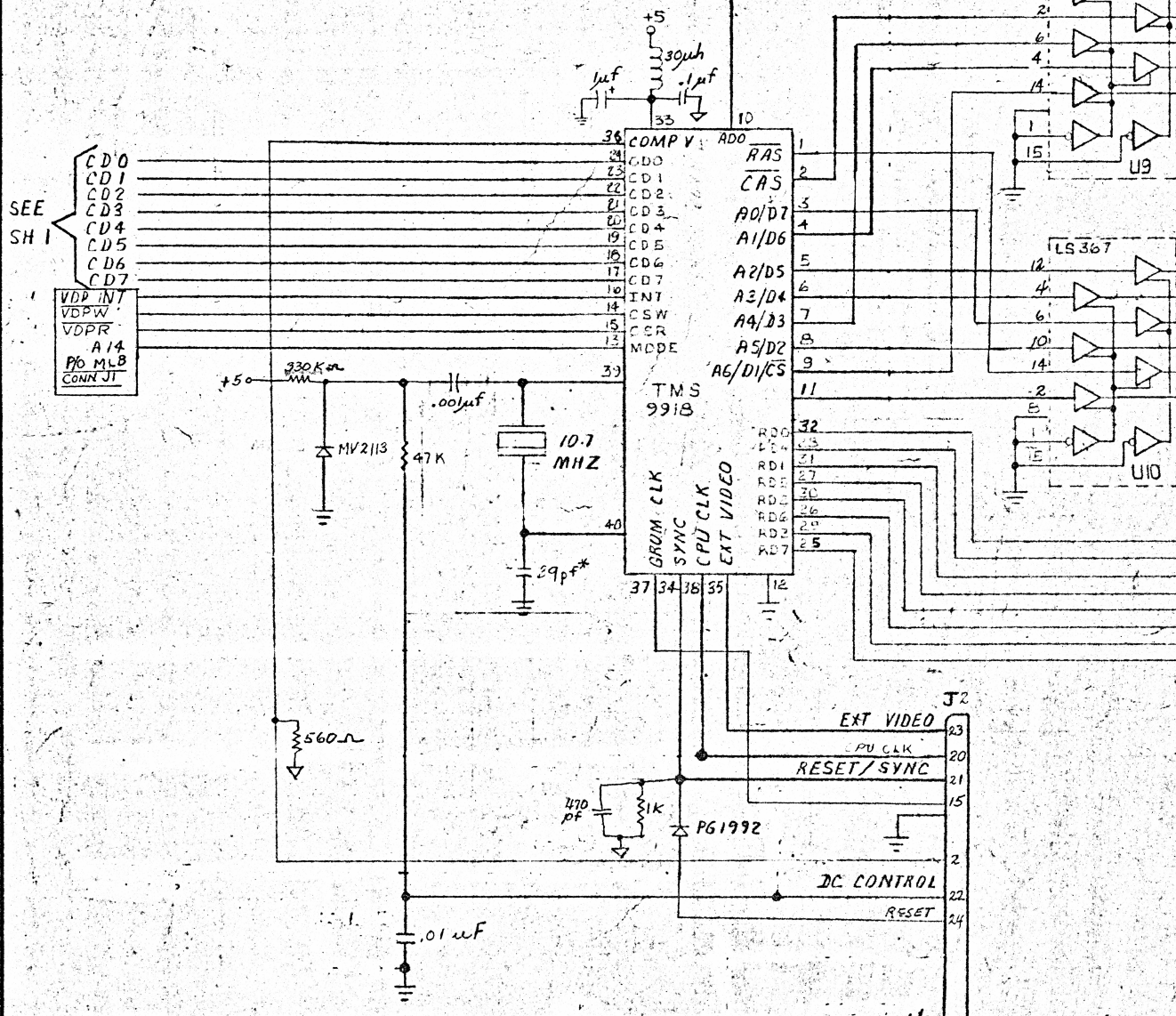
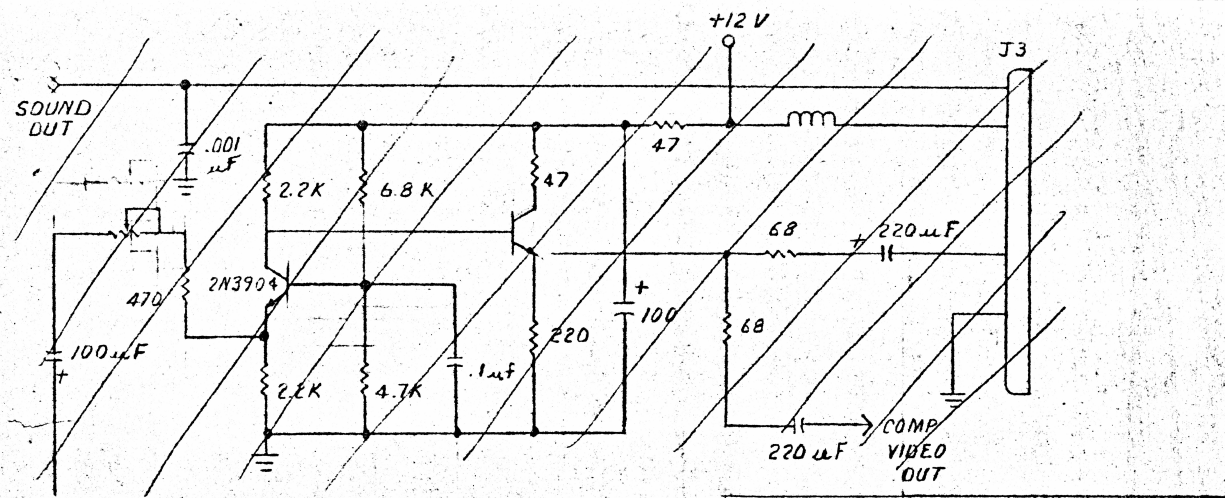
MAIN LOGIC BOARD # 2
SHEET 1
9900 CPU SUBCIRCUY



9	CPU INT
3	SYSTEM READY
24	RESET
5	AI5/CPU OUT
4	HOLD/IAQ
6	CPU CLK
7	CPU IN
19	D0
18	D1
17	D2
16	D3
14	D4
12	D5
11	D6
10	D7
13	DEIN
8	CAMEN

5	VEPR
4	∅
10	A0
11	A1
12	A2
17	A3
24	A4
15	A5
16	A6
18	A7
19	A8
23	A9
20	A10
21	A11
22	A12
24	A13
25	A14
7	WE
13	ROMEN
9	MEMEN
8	MEMEN
2	MEMEN
2	LOAD

PRELIMINARY
FOR INFORMATION ONLY
DATE 12-1-78



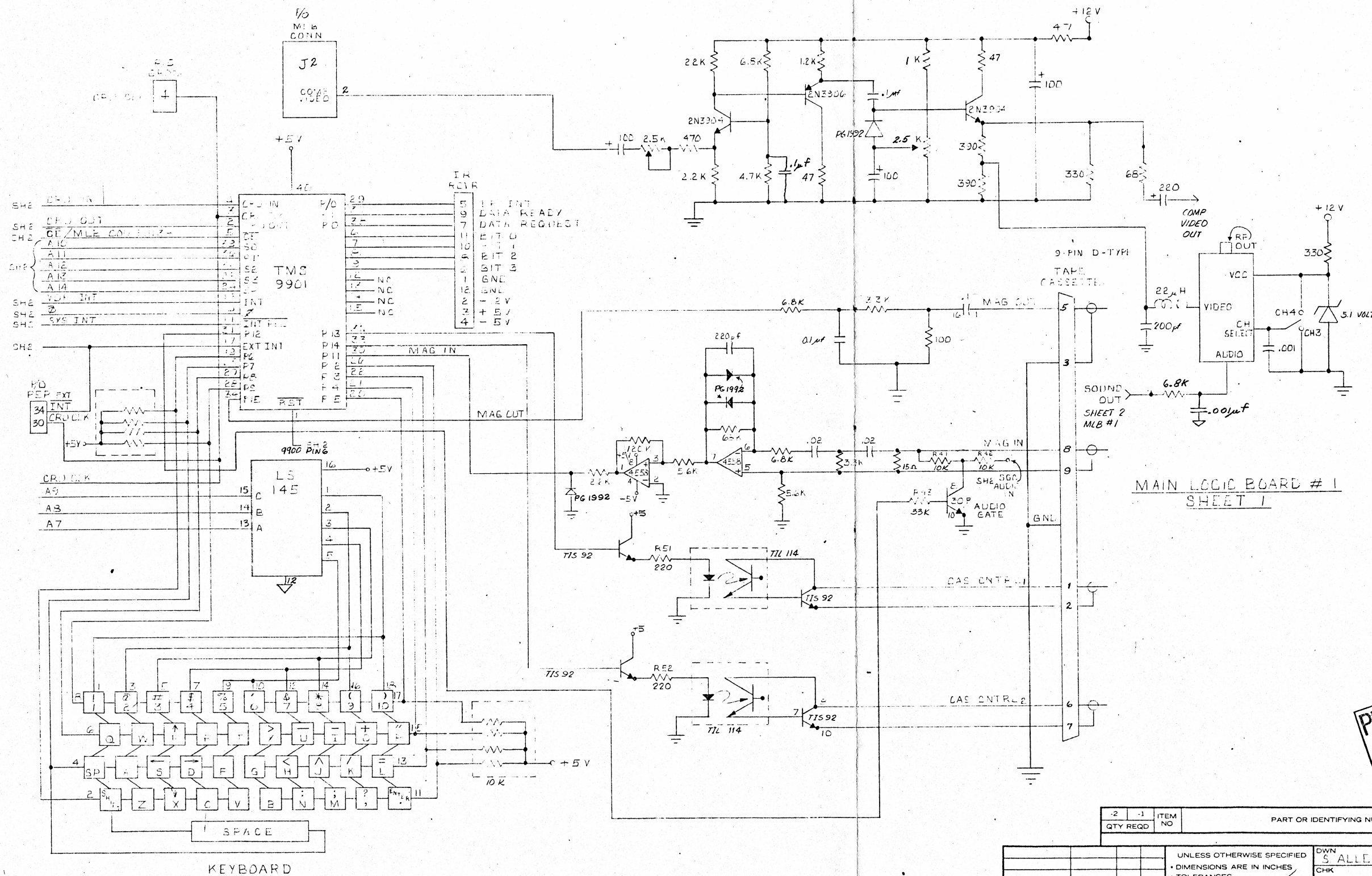
* CAPACITOR SELECTABLE FROM A RANGE OF 33pf TO 50pf

(J2 CONT. FROM SHT. 3)

MAIN LOGIC BOARD #2 SHEET 2

2/14/79 L.J.D.
 2/2/79 L.J.D.

REVISIONS				
ZONE	LTR	DESCRIPTION	DATE	APPROVED



MAIN LOGIC BOARD #1
SHEET 1

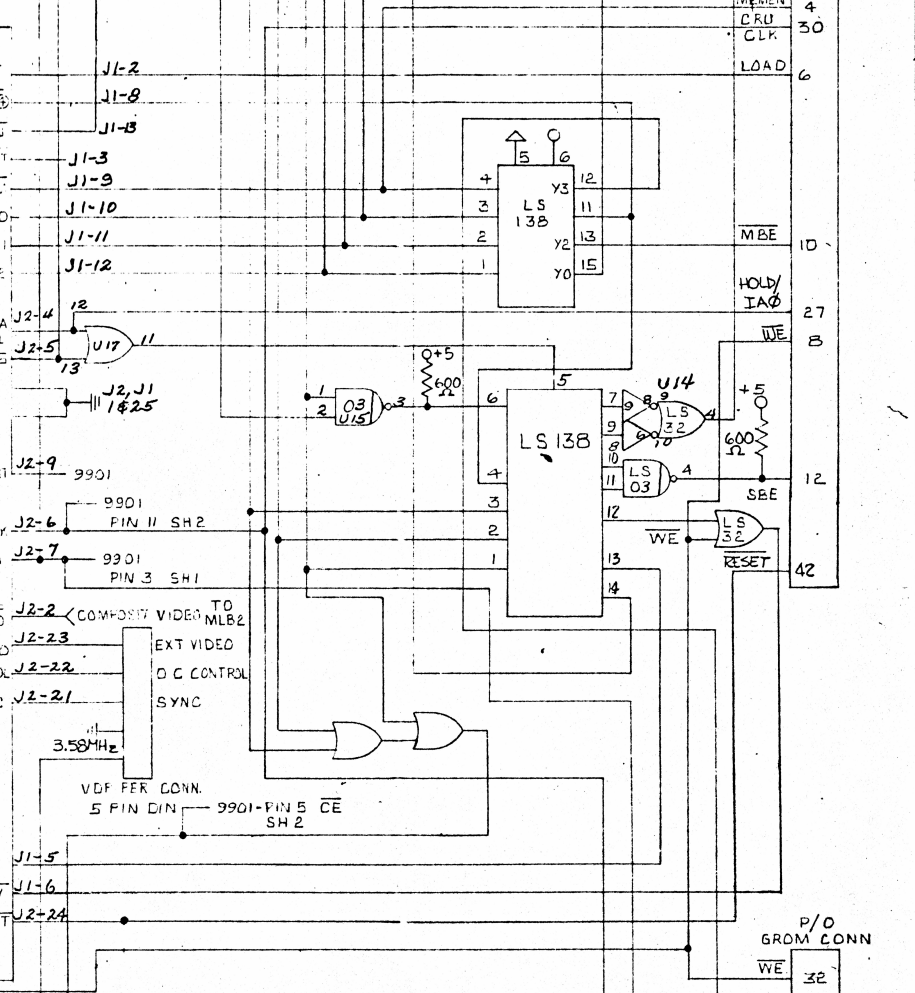
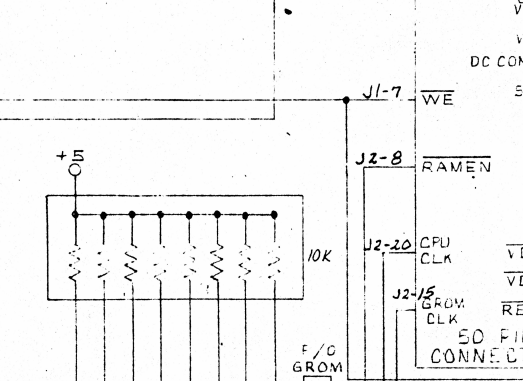
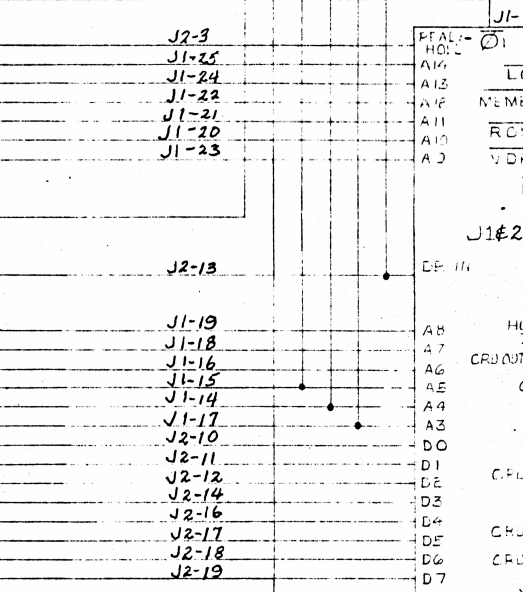
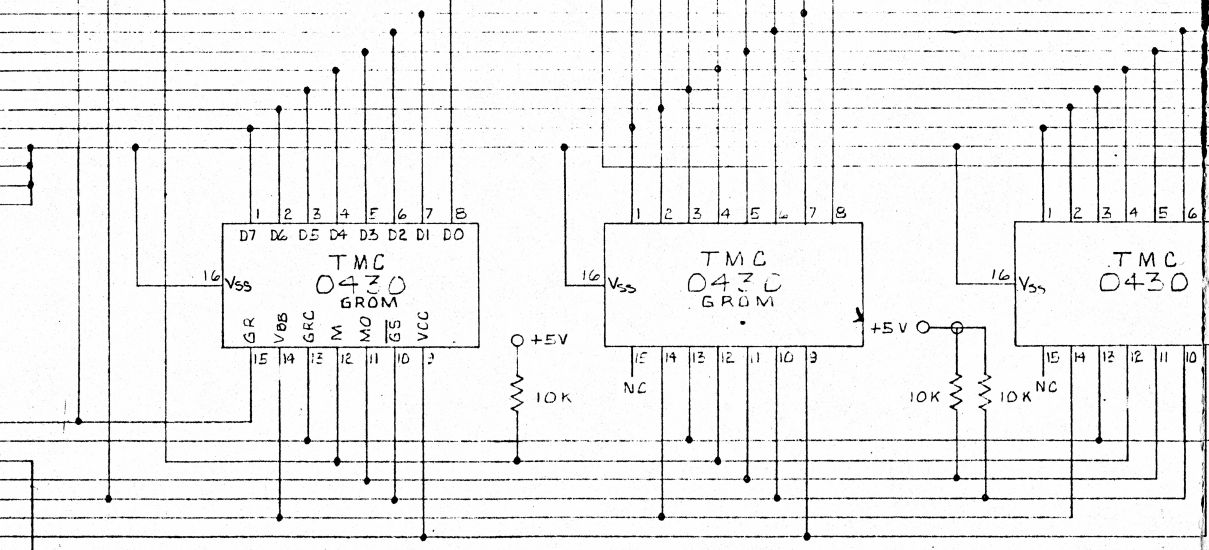
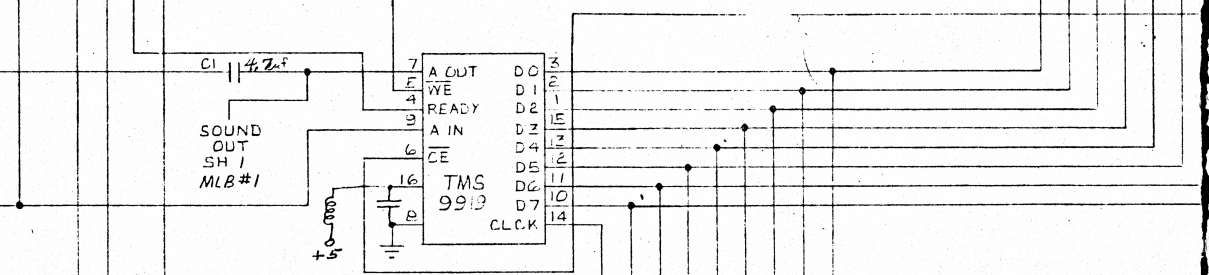
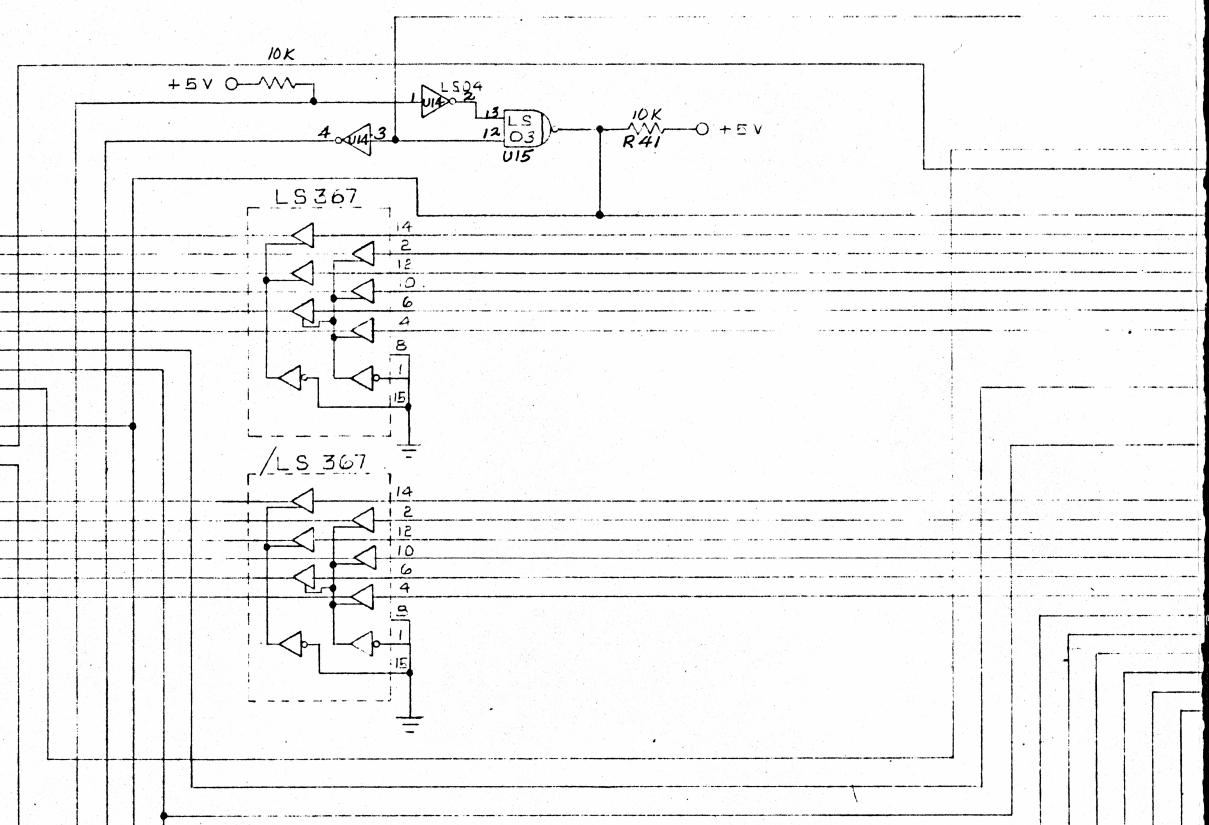
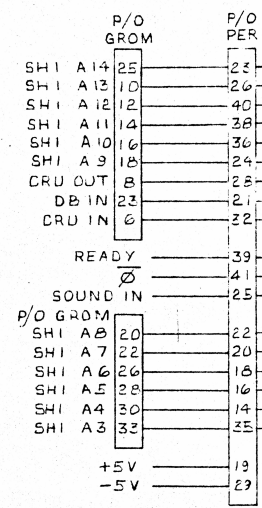
PRELIMINARY
FOR INFORMATION ONLY
DATE 11/1/78

2/14/79 L.J.D.
2/12/79 L.J.D.

QTY REQD	-2	-1	ITEM NO	PART OR IDENTIFYING NUMBER	NOMENCLATURE OR DESCRIPTION	REMARKS

PARTS LIST		DATE
UNLESS OTHERWISE SPECIFIED	DWN	10-17-78
DIMENSIONS ARE IN INCHES	CHK	
TOLERANCES	DESIGNER	
ANGLES ±	QA	
3 PLACE DECIMALS =	APVD	
2 PLACE DECIMALS =	PRODUCT ENG	
DIMENSIONING IN ACCORDANCE	DESIGN ACTIVITY RELEASE	
WITH ANSI Y14.5		
MATERIAL:		

TEXAS INSTRUMENTS INCORPORATED CALCULATOR PRODUCTS DIVISION	
MAIN LOGIC BOARD	
SUP DWG	SIZE DRAWING NO
	D N/A
SCALE NONE	REV LTR: SHEET 1/4



MAIN LOGIC BOARD #1
SHEET 2

PRELIMINARY
FOR INFORMATION ONLY
DATE 11-7-78